

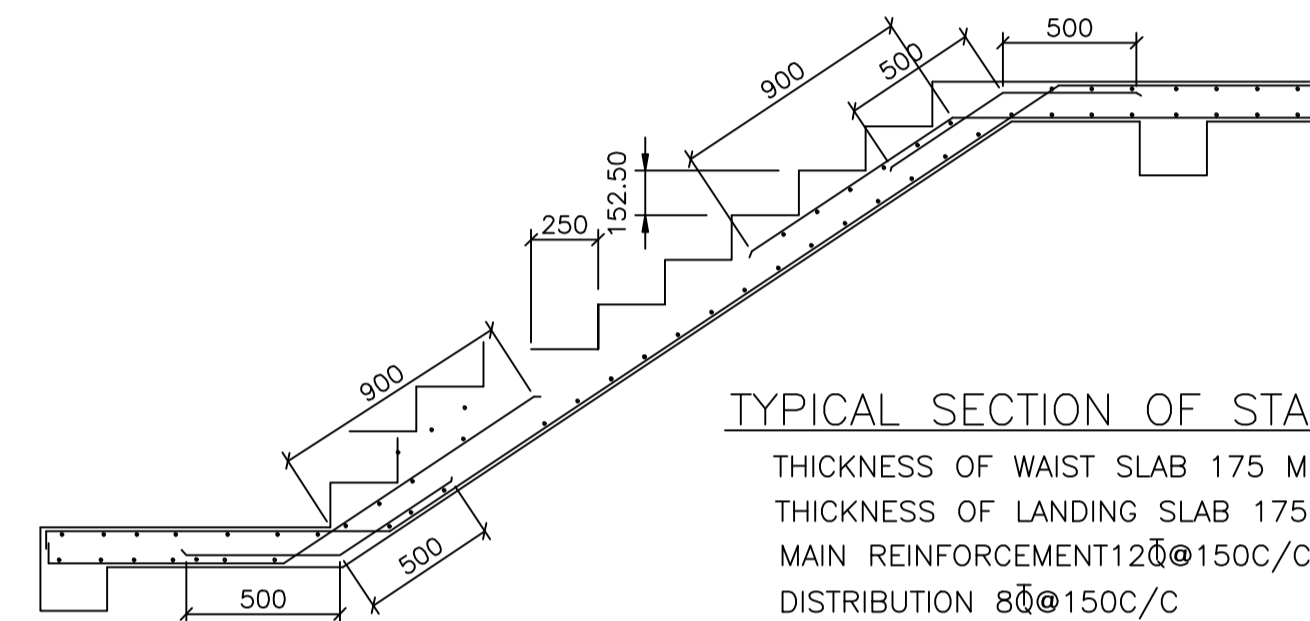
SCHEDULE OF SLABS						
SLAB MKD.	THK.	AT SHORTER DIRECTION			AT LONGER DIRECTION	
		TOP OVER SUPPORT	BOTTOM	BOTTOM AT SPAN	TOP OVER SUPPORT	BOTTOM AT SPAN
S1	125	8@150C/C UP TO L/4	8@150C/C	8@150C/C	8@175C/C UP TO L/4	8@175C/C
S2	115	8@150C/C UP TO L/4	8@150C/C	8@150C/C	8@175C/C UP TO L/4	8@175C/C

PROVIDE DISTRIBUTORS 8@200 C/C WHEREVER NECESSARY

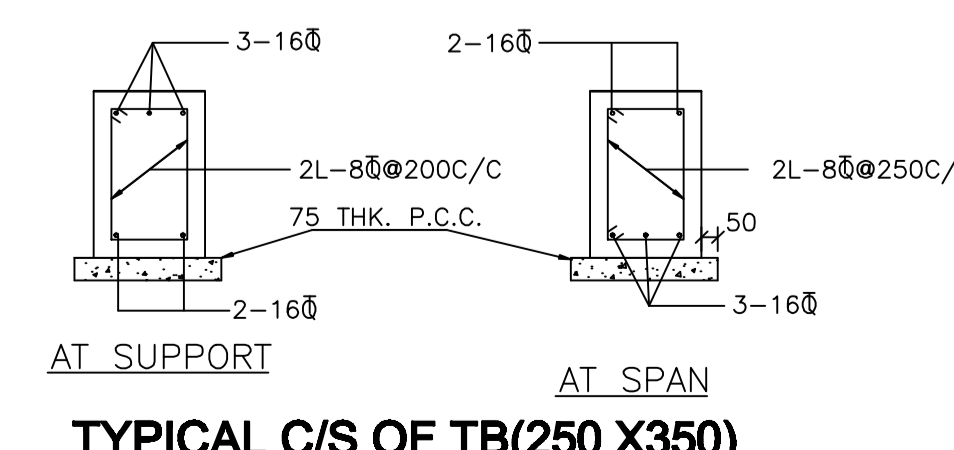
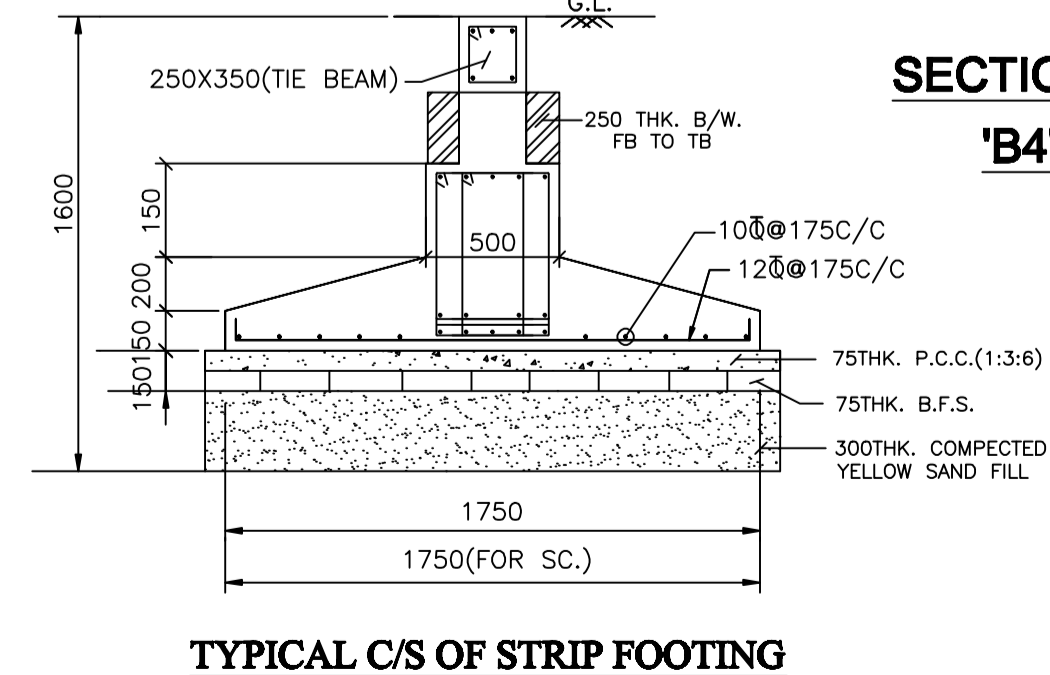
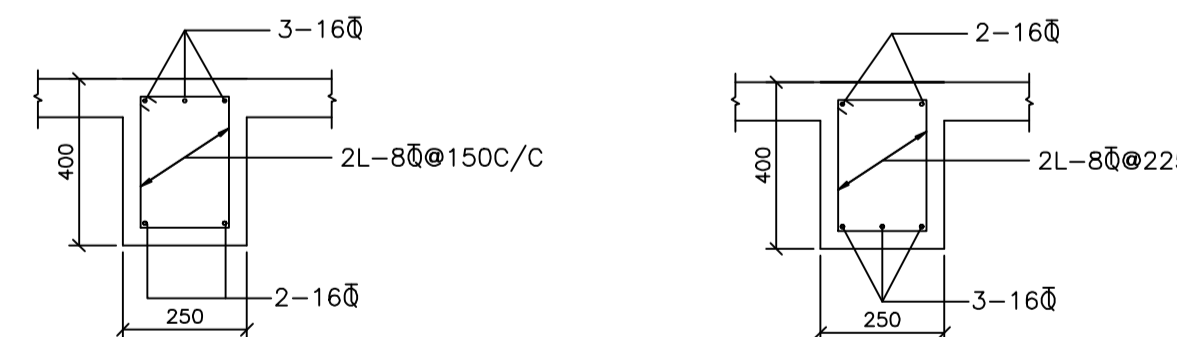
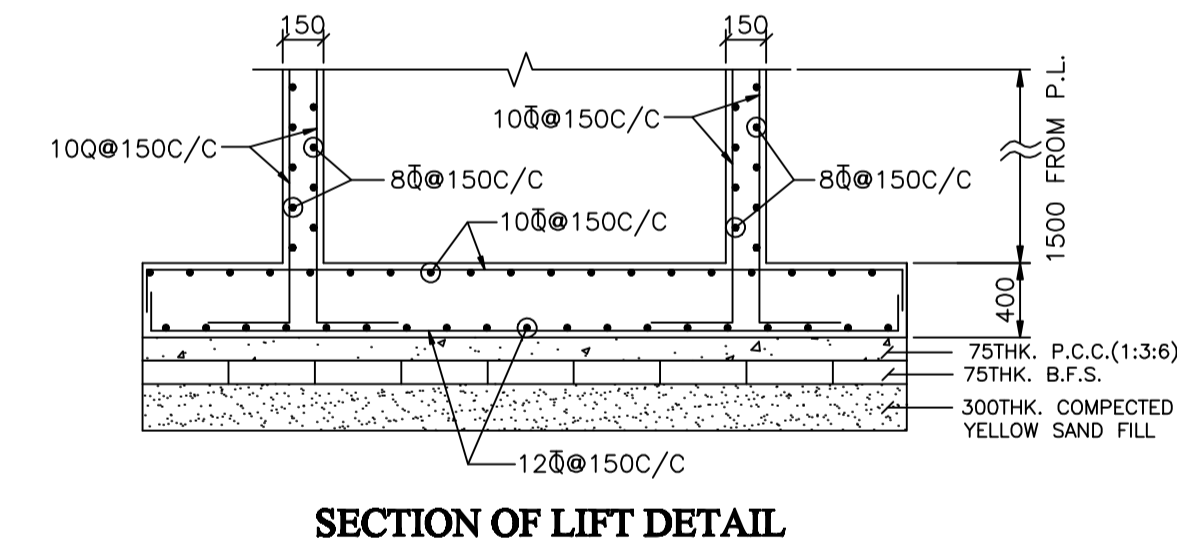
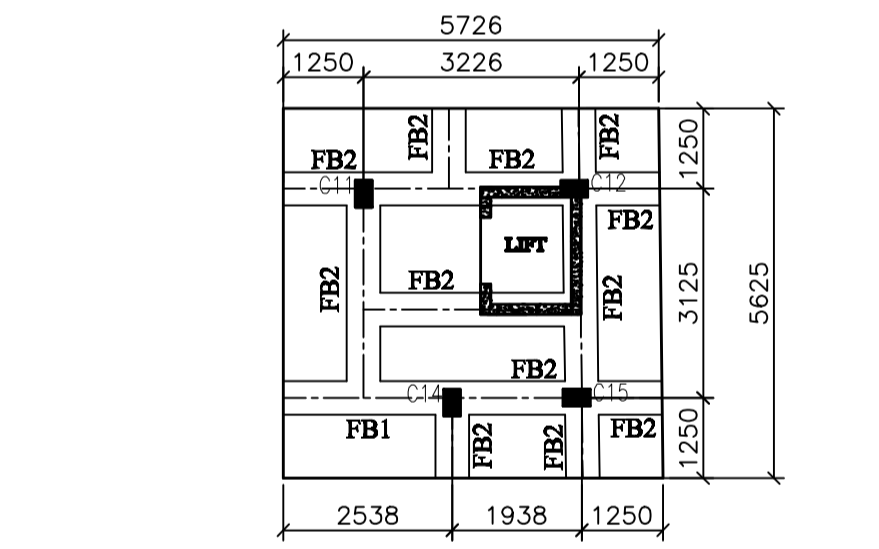
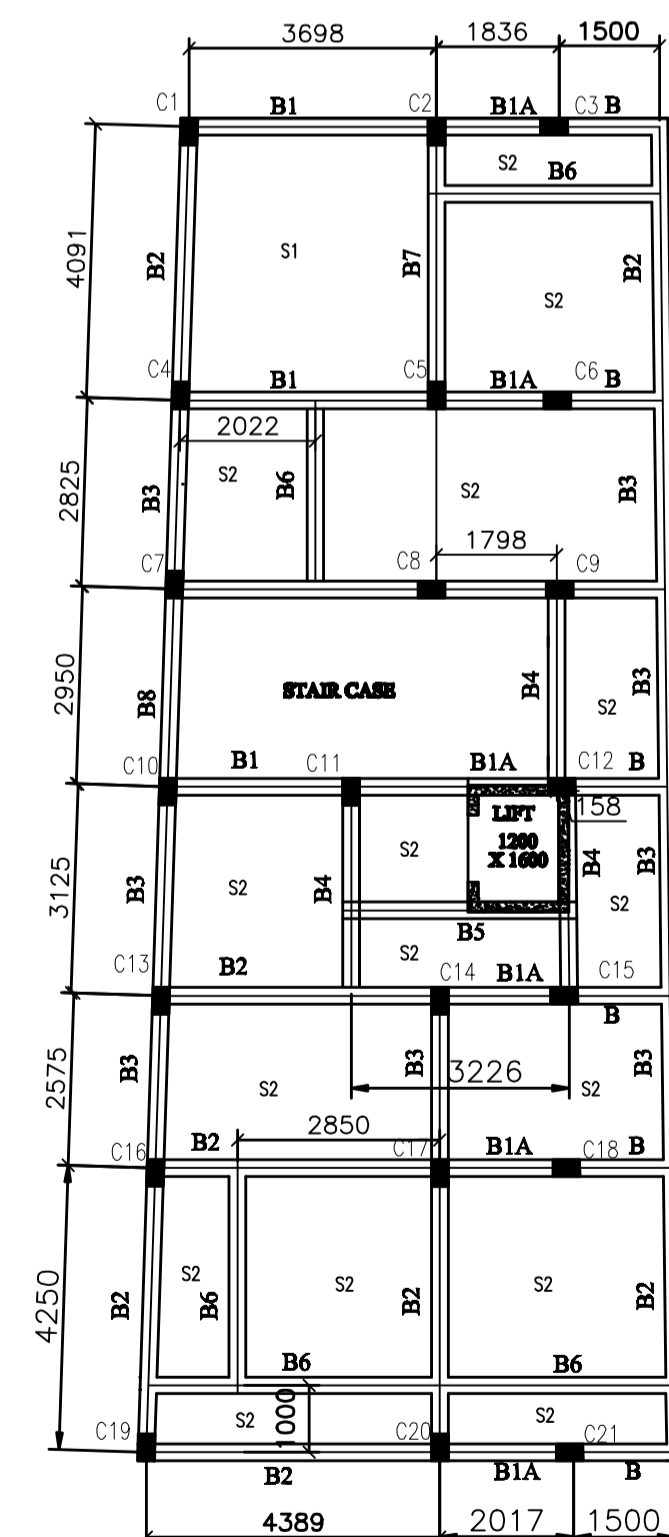
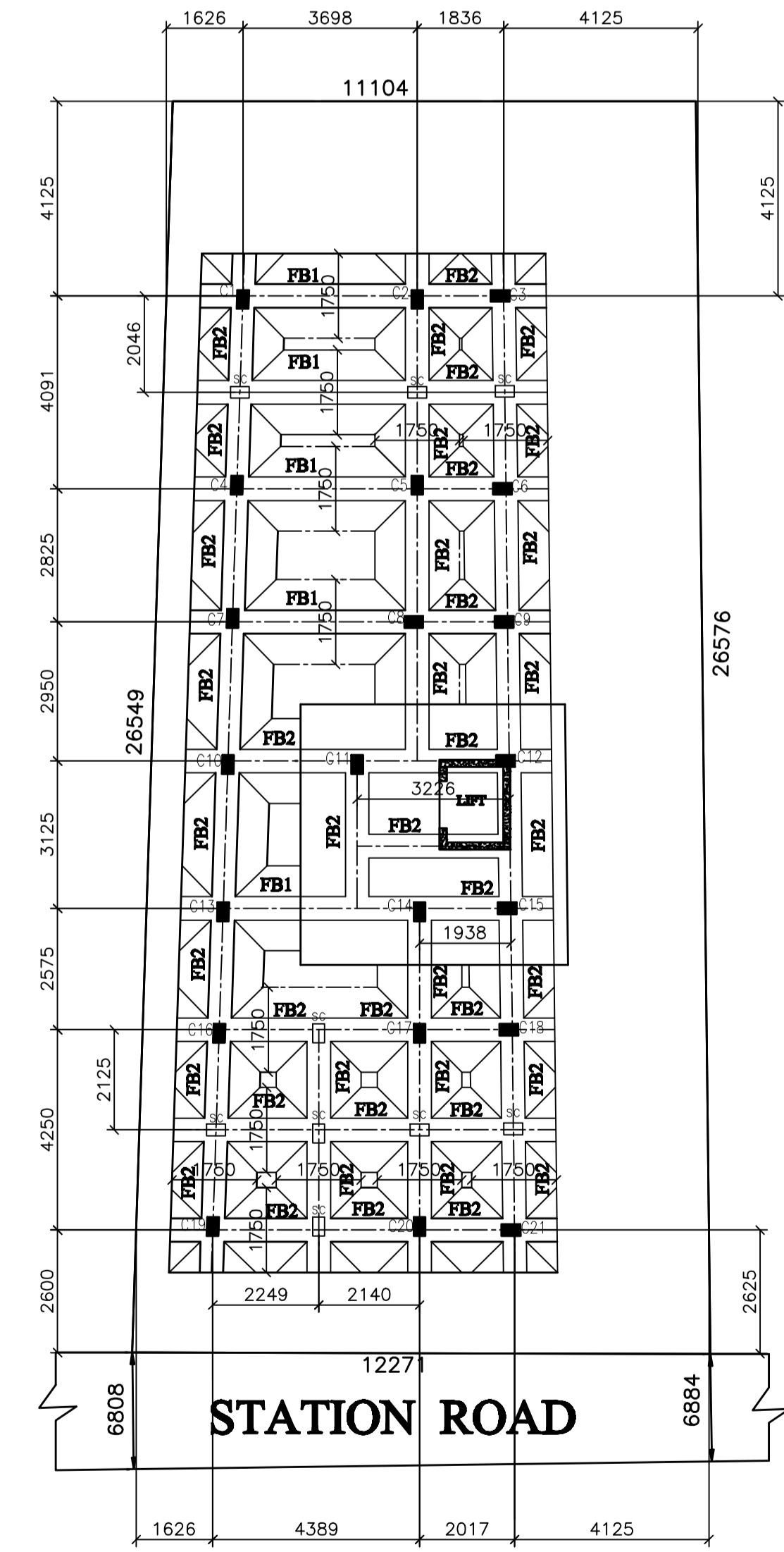
NOTE:- EXTRA TOP REINFORCEMENT TO BE PROVIDED UP TO L/4 FROM SUPPORT

SCHEDULE OF FOUNDATION BEAM (STRIP FOOTING)						
BEAM MKD.	BEAM SIZE	AT SUPPORT		AT SPAN		STIRRUPS 4L-8@ SUPP
		TOP	BOTTOM	TOP	BOTTOM	
FB1	500X500	3-16@	5-16@	5-16@	3-16@	150C/C
FB2	500X500	4-16@	4-16@	4-16@	4-16@	225C/C

MKD.	BEAM SIZE	REINFORCEMENT					
		AT SUPPORT		AT SPAN		STIRRUPS	
		TOP	BOTTOM	TOP	BOTTOM	SUPPORT	SPAN
B1	250X450	4-16@	2-16@	2-16@	4-16@	2L-8@150C/C	2L-8@225C/C
B1A	250X450	6-16@	2-16@	6-16@	4-16@	2L-8@150C/C	2L-8@225C/C
B2	250X450	6-16@	3-16@	3-16@	6-16@	2L-8@150C/C	2L-8@225C/C
B3	250X450	5-16@	2-16@	2-16@	5-16@	2L-8@150C/C	2L-8@225C/C
B4	250X450	3-16@	2-16@	2-16@	3-16@	2L-8@150C/C	2L-8@225C/C
B5	250X450	2-16@	2-16@	2-16@	4-16@	2L-8@150C/C	2L-8@225C/C
B6	250X400	2-16@	2-16@	2-16@	3-16@	2L-8@150C/C	2L-8@225C/C
B7	250X400	4-16@	2-16@	2-16@	5-16@	2L-8@200C/C	2L-8@250C/C
B8	250X400	3-16@	2-16@	2-16@	3-16@	2L-8@150C/C	2L-8@225C/C
B	250X450	6-16@	3-16@	—	—	2L-8@150C/C	2L-8@225C/C
TIE BEAM	250X350	3-16@	2-16@	2-16@	3-16@	2L-8@200C/C	2L-8@250C/C



SCHEDULE OF COLUMN			
COLUMN MKD.	COLUMN SIZE	MAIN REINFORCEMENT	LINK
C1,C2,C3,C4,C5,C6,C7,C8,C9,C10,C11 C12,C13,C14,C15,C16,C17,C18,C19, C20,C21.	250 X 450	8-16@	2L-8@150C/C (2 SETS)



**DESCRIPTION OF PLAN**

STRUCTURAL PLAN OF A (G+III) STORED BUILDING WITH FOUR STORED COLUMN FOUNDATION TO BE CONSTRUCTED IN PART OF R.S. DAG NO-92, OF MOUZA- SULTANPUR, R.S. KHATIAN NO-480, J.L. NO-10, L.R. KHATIAN NO-6051,6055,6056, WARD NO-21, HOLDING NO-32(211),STATION ROAD, P.S.-NIMTA, DIST.-NDRTH 24 PGS., UNDER NDRTH DUM DUM MUNICIPALITY.

**OWNERS :- SRI ANIL DUTTA ALIAS SUNIL DUTTA  
SRI SUDHAN KUMAR DUTTA  
SRI SUSHIL KUMAR DUTTA**

**NOTES:-**

- ALL DIMENSIONS ARE IN MM UNLESS IT IS MENTIONED
- GRADE OF CONCRETE SHALL BE M25.
- GRADE OF REINFORCEMENT SHALL BE Fe500
- CLEAR COVER TO MINIMUM REINFORCEMENT SHALL BE
  - FOUNDATION = 50 MM
  - TIE-BEAM/COLUMN = 40 MM.
  - BEAMS = 25 MM.
  - SLAB = 20 MM.
  - STAIR WAIST SLAB = 20 MM.
- MIX OF P.C.C. SHALL BE 1:3:6

**CERTIFICATE BY OWNER**

CERTIFIED THAT I SHALL NOT ON ALATER ATE MAKE ANY ADDITION OR ALTERATION TO THIS PLAN. CERTIFIED THAT I HAVE GONE THROUGH THE RULES FOR NORTH DUM DUM MUNICIPALITY AND ALSO UNDER TAKE TO ABIDE BY THOSE RULES DURING & AFTER THE CONSTRUCTION OF THE BUILDING.

**CONSTITUTED ATTORNEY FOR AND BE HALF OF  
ANIL DUTTA ALIAS SUNIL DUTTA  
SUDHAN KUMAR DUTTA  
SUSHIL KUMAR DUTTA**

**DUTTA AND SARKAR DEVELOPER  
ANIL DUTTA ALIAS SUNIL DUTTA  
PROPRIETOR**

SIGN. OF OWNER

**CERTIFICATE BY ARCHITECT**

CERTIFIED THAT THE PLAN HAS BEEN DESIGNED & DRAWN UP STRICTLY ACCORDING TO THE BUILDING RULES OF NORTH DUM DUM MUNICIPALITY. CERTIFIED THAT THE FOUNDATION & SUPERSTRUCTURE OF THE BUILDING HAVE BEEN SO DESIGNED BY ME AS TO BE SAFE IN ALL RESPECTS INCLUDING THE CONSIDERATION OF BEARING CAPACITY & SETTLEMENT OF SOIL.

**Ganesh Majumdar**  
LICENCE NO- NDDM/STRUCT/05  
[CLASS-1]

SIGN. OF STRL.ENG.

**S. K. RAY & CO.**  
SANKAR KUMAR RAY  
LICENCE NO- NDDM/L.B.S-01/24  
[CLASS-1]

SIGN. OF L.B.S.

**Nilay Mallik**  
LICENCE NO- NDDM/Geo Technical Engineer/2  
[CLASS-1]

SIGN. OF GEO.ENG.

REVISION	DESCRIPTION	DATE

**SCALE = 1:25, 50, 100, 200**      **DATE = 25/04/2022**  
**DRAWN BY = PRITAM DAS**      **(SHEET 2 OF 2)**

**S. K. RAY & CO.**  
M.B.ROAD,SIDDHESWARI, KALIBARI  
BIRATI, KOLKATA - 700 051,  
**CHECKED BY = S. K. RAY (ARCHITECT)**  
**REG. NO- NDDM/L.B.S-01/24**

